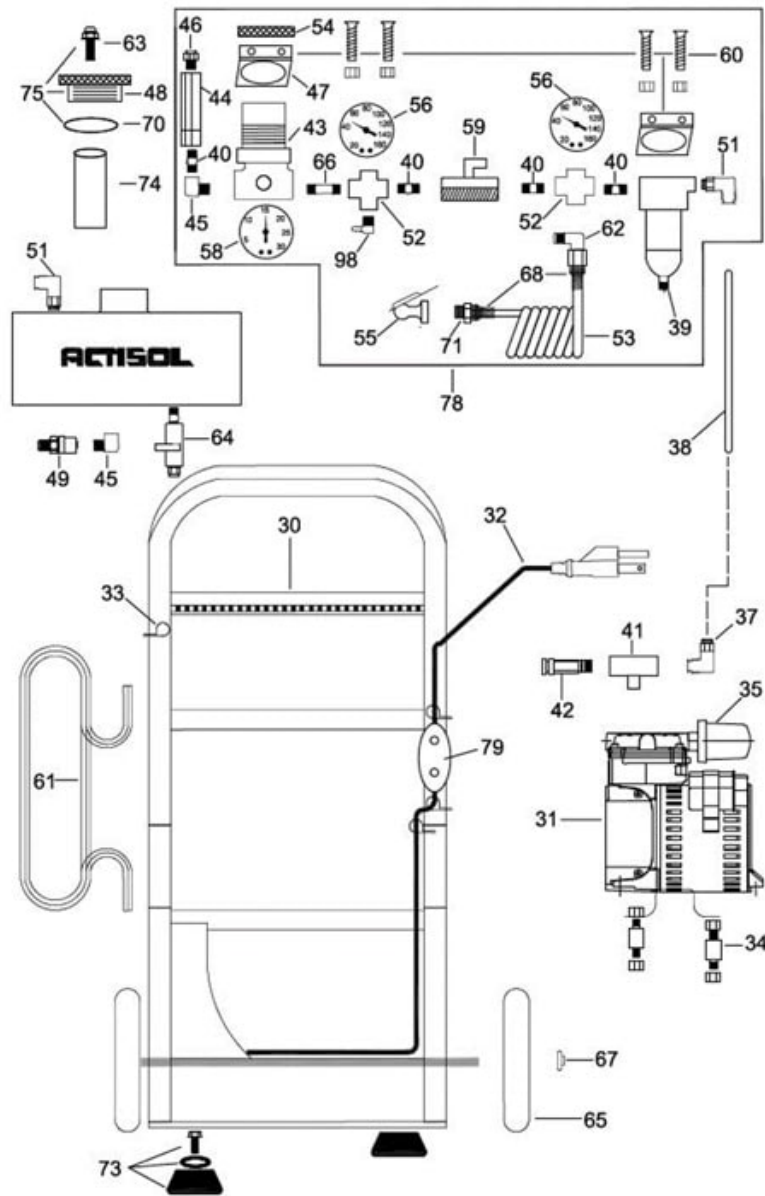
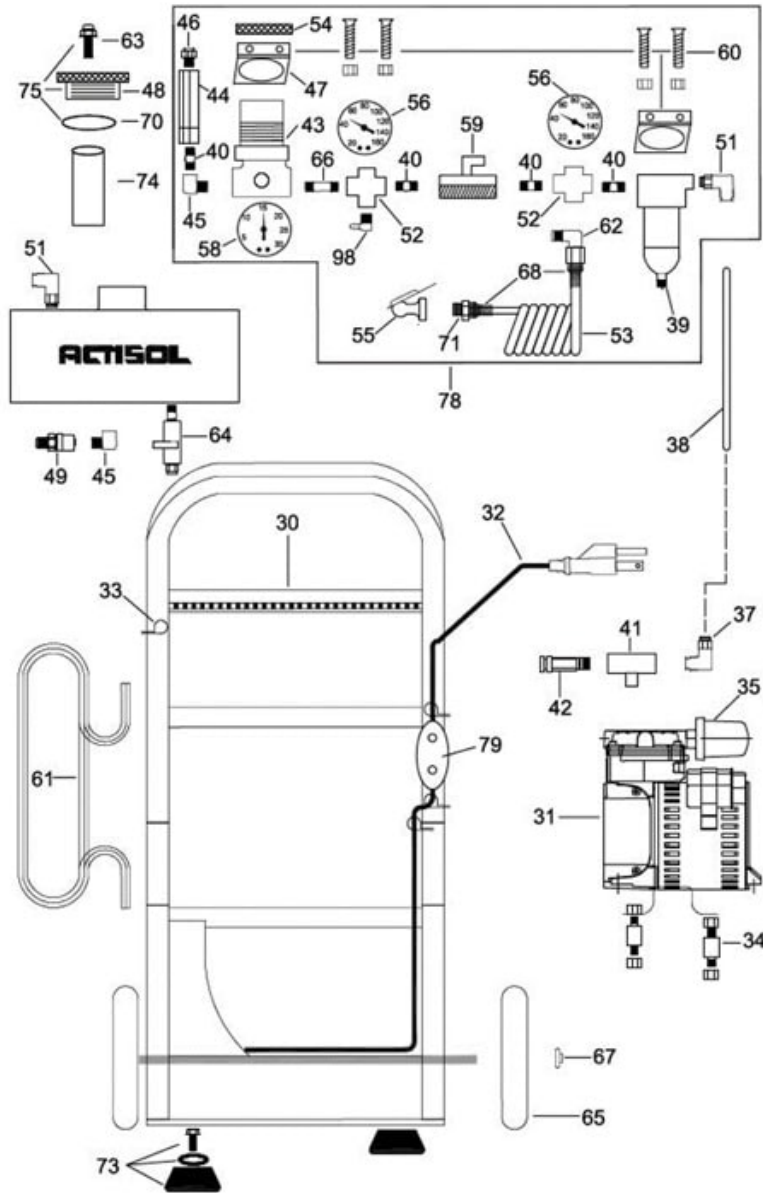


ACTISOL® COMMERCIAL UNIT EXPLODED

ITEM #	CODE	DESCRIPTION
30	8020030	Aluminum cart (w / tank)
31	8020040	Compressor
32	300123	16/3 STJW Extension Cord - 25'
33	8010033	Plastic Hose Clamp
34	8020034	Compressor Mount Isolator (w / hardware) (each)
35	8020035	Compressor Intake Filter Complete
37	8020037	1/4" NPT X 1/4" Tubing Swivel 90° PTL
38	8010038	1/4" Plastic Tubing
39	8010039	1/8" NPT Moisture Filter
40	8010040	1/8" Hex Nipple
41	8020041	1/4" Male Branch Tee
42	8020042	100 PSI Pressure Relief Valve
43	8010043	1/8" NPT Regulator
44	8020044	1/8" NPT Viton Check Valve
45	8010045	1/8" Street Elbow
46	8020046	1/8" NPT Male X 1/4" Tubing PTL
47	8020047	Manifold Mount Bracket (w / hardware)
48	300048	Threaded and Ported Tank Cap (specify coarse or fine)
49	8010049	1/8" Ferrules Tube Fitting
51	8020051	1/8" NPT X 1/4" Tubing Swivel 90° PTL
52	8020052	1/8" NPT Female Cross
53	8020053A	Coiled Hose for Air Chuck
54	8010054	Regulator Mount Nut
55	8020055	1/4" Clamp on Air Chuck
56	8020056	Back Mount 0-160 Gauge
58	8020058	Back Mount 0-30 Gauge
59	8020059	1/8" NPT On/Off Ball Valve
60	8020060	Manifold Mounting Kit (includes 2 brackets & 4 bolts) w/
61	8020061	50' Red Twin Tubing
62	8010061	1/8" NPT X 1/4" Compression Elbow
63	300063	1/8" NPT Push Button Pressure Release Valve
64	8020064	Tank Drain Valve Assembly
65	8020065	8" Wheel
66	8020066	1 1/2" Long Nipple

ACTISOL® COMMERCIAL UNIT EXPLODED



ITEM #	CODE	DESCRIPTION
67	8020067	Wheel Cap Lock
68	8020068	Spring Guard (For Coiled Hose)
70	300070	O ring for Tank Cap
71	8020069	1/4" NPT X 1/4" Compression
73	8010056	Shock Absorber Foot (w/hardware) (each)
74	300064	Drop In Tank Filter
75	300075	Tank Cap Complete
78	8020075	Manifold Complete
79	8020082	Feed-Thru On/Off Switch
98	300098	1/8" NPT X 1/8" HB - 90